



# 慈溪市万捷电子有限公司

## CIXI WANJIE ELECTRONIC CO., LTD

### REVISION RECORD

REV.	DESCRIPTION	ECN No.	APPROVED	DATE



### 技术参数

#### UJ/CUL Technical Data

等级	Use Group	B	C	D
额定电压	Rated Voltage	[V]	300	-
额定电流	Rated Current	[A]	15	-
				10

接线范围	Wire Range	[AWG]	28-12
单/多芯线	Solid/Stranded	[AWG]	28-12

耐压	Withstanding Voltage	1600V/1Min

#### IEC 技术参数

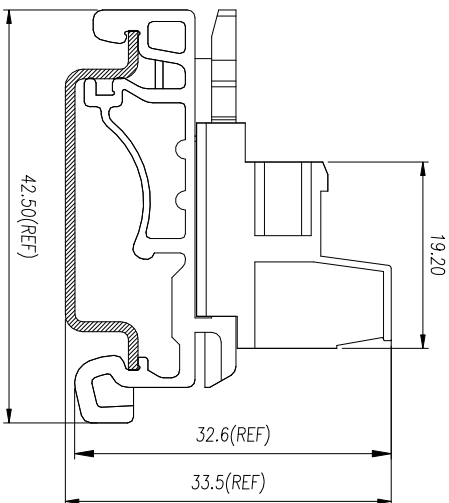
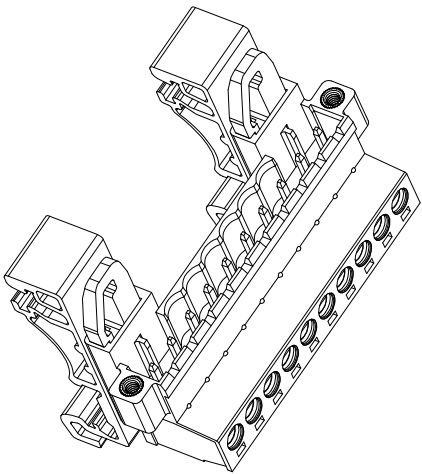
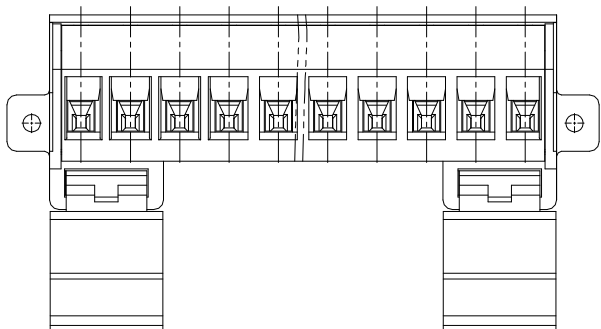
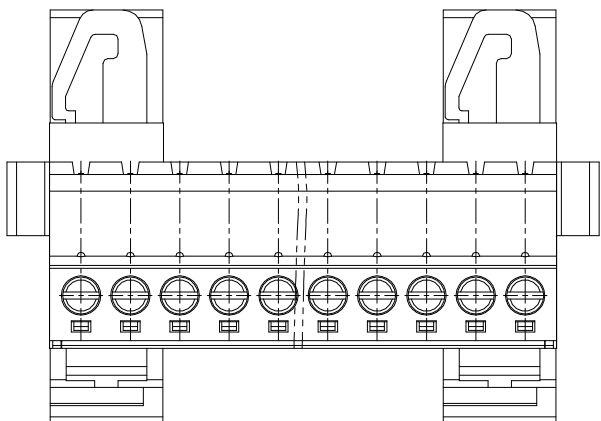
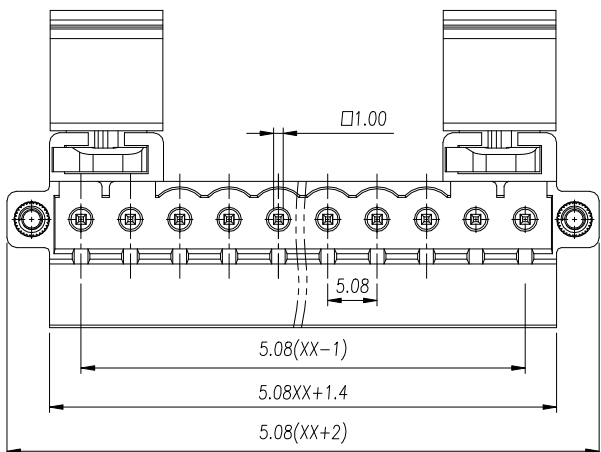
#### IEC Technical Data

过电压类别	Overvoltage Category	III	III	II
污染等级 <td>Contamination Class</td> <td>3</td> <td>2</td> <td>2</td>	Contamination Class	3	2	2
额定电压 <td>Rated Voltage</td> <td>[V]</td> <td>250</td> <td>320</td>	Rated Voltage	[V]	250	320
额定电流 <td>Rated Current</td> <td>[A]</td> <td>12</td> <td>12</td>	Rated Current	[A]	12	12
				12

额定冲击电压	Impulse withstand voltage	[kV]	4.0	4.0	4.0

导线截面积	Conductor cross section	[mm <sup>2</sup> ]	0.2-2.5

材料	Material	
绝缘材料	Insulation Material	PA66
阻燃等级	Inflammability	UL94V-0
导体材料	Conductor Material	铜合金 Copper alloy
导体表面镀层	Conductive Coating	镀锡 Sn Plated



一般参数	Other Data	
间距 Pitch / 极数 Poles	[mm]/[P]	5.08 / 06-24
剥线长度 Stripping Length	[mm]	7-8
螺丝 Screw/扭矩 Torque(Max)	[N.m]	M3.0, 5
工作温度 Operating temperature	[°C]	-40~105
焊接温度 Soldering temperature		-
引针尺寸 Pin Dimensions	[mm]	-
PCB板孔径 PCB Hole Diameter	[mm]	-

linear dimension(Tolerances Standard GB/T 14486-2008)

variable range	6 to 10	10 to 30	30 to 60	60 to 100	100 to 160	160 to 100	10 to 100	100 to 100
tolerance	±0.20	±0.30	±0.50	±0.70	±1.00	±1.30	±1.60	0.10
								0.30
								0.60

单位 / UNITS mm 尺寸 / SIZE A4 比例 / SCALE 1:3.1

第三视图/THIRD ANGLE PROJECTION 版本 / REV V0



慈溪市万捷电子有限公司  
CIXI WANJIE ELECTRONIC CO., LTD

名称 / TITLE WJ2EDGURKM-5.08-XXP-1YY-00A